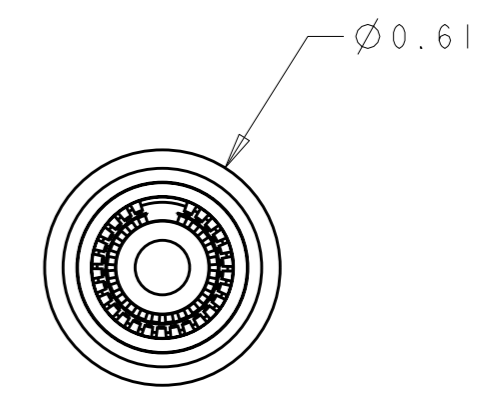
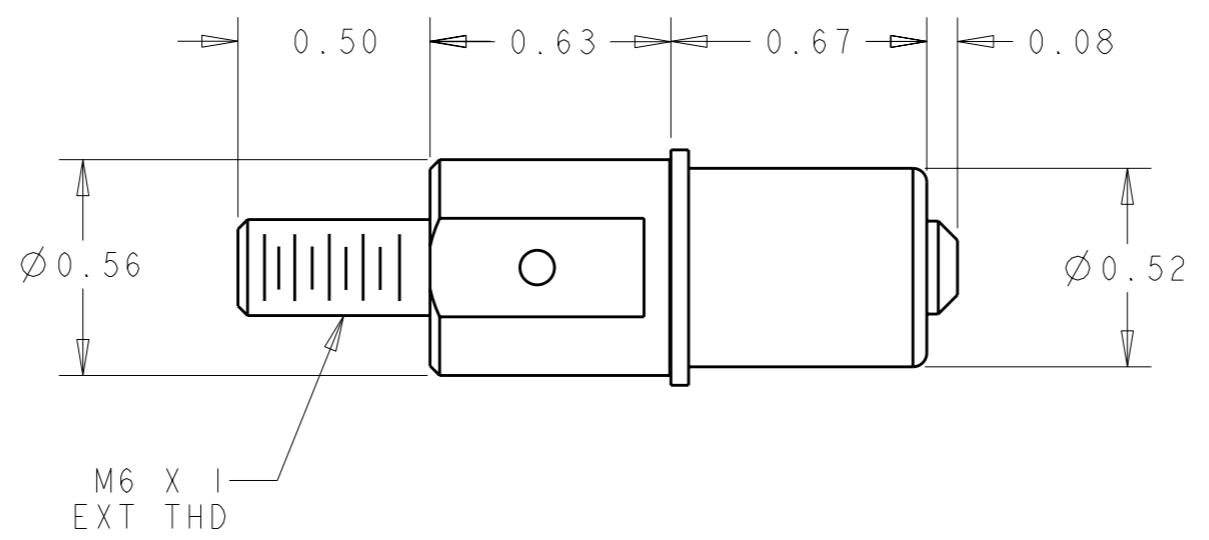
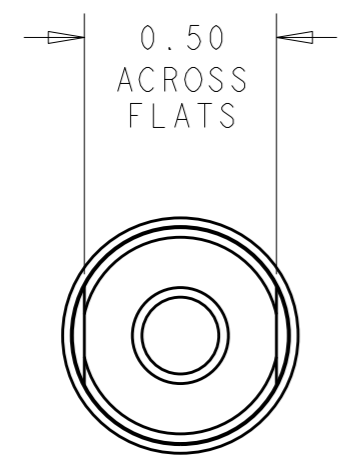


THIS DRAWING IS UNPUBLISHED. RELEASED FOR PUBLICATION 20
 © COPYRIGHT 20 BY TYCO ELECTRONICS CORPORATION. ALL RIGHTS RESERVED.

LOC	DIST	REVISIONS			
P	LTR	DESCRIPTION	DATE	DWN	APVD
-	-	A	NEW RELEASE	22OCT2008	CR DO



- PART NUMBER CHANGES AND/OR DESIGN CHANGES AFFECTING INTERCHANGEABILITY REQUIRE PRIOR TYCO ELECTRONICS APPROVAL AND AUTHORIZATION BY REVISION TO THIS DRAWING
- ITEMS PROVIDED TO THIS SPECIFICATION TO BE PERMANENTLY IDENTIFIED PER THE FOLLOWING IDENTIFIER LABEL

TYCO ELECTRONICS P/N: XXXXXXXX-X
 DATE CODE (e.g. 0106): YEAR 1 WEEK 1

3 MATERIALS:
 CONTACTS: COPPER ALLOY
 CROWN BAND: COPPER ALLOY

4 FINISHES:
 CONTACTS: SILVER PLATE: .000200/.000300 THK OVER
 NICKEL PLATE: .000040 MIN THK
 CROWN BAND: GOLD: .000040 MIN THK OVER
 NICKEL PLATE: .000040 THK

THIS DRAWING IS A CONTROLLED DOCUMENT FOR TYCO ELECTRONICS CORPORATION. IT IS SUBJECT TO CHANGE AND THE CONTROLLING ENGINEERING ORGANIZATION SHOULD BE CONTACTED FOR THE LATEST REVISION.

DIMENSIONS: INCHES	TOLERANCES UNLESS OTHERWISE SPECIFIED:
	0 PLC ±-
	1 PLC ±-
	2 PLC ±.01
	3 PLC ±.005
	4 PLC ±-
	ANGLES ±.5
MATERIAL: 3	FINISH: 4

DWN	22OCT2008
CHK	C. ROHLER
APVD	22OCT2008
APVD	D. ORRIS
APVD	M. PERCHERKE
PRODUCT SPEC	-
APPLICATION SPEC	-
WEIGHT	-
CUSTOMER DRAWING	

AS SHOWN	6648431-1
DESCRIPTION	PART NO.
Tyco Electronics Harrisburg, PA 17105-3608	
NAME: CONTACT, SOCKET, SIZE #0 M6 X1 EXT THD DRAWERS	
SIZE: A3	CAGE CODE: 00779
DRAWING NO: C-6648431	RESTRICTED TO: -
SCALE: 2:1	SHEET 1 OF 1 REV A