

10 9 8 7 6 5 4 3 2 1

F

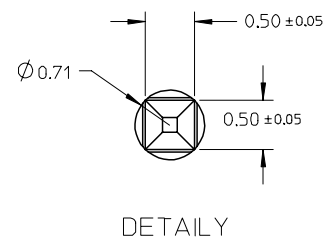
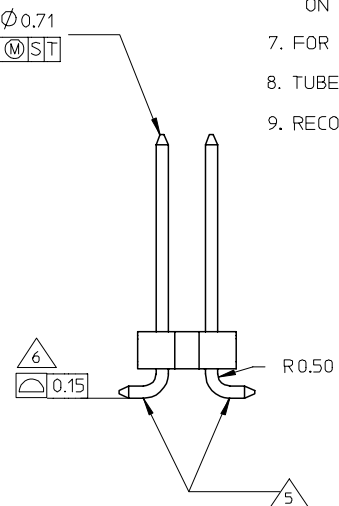
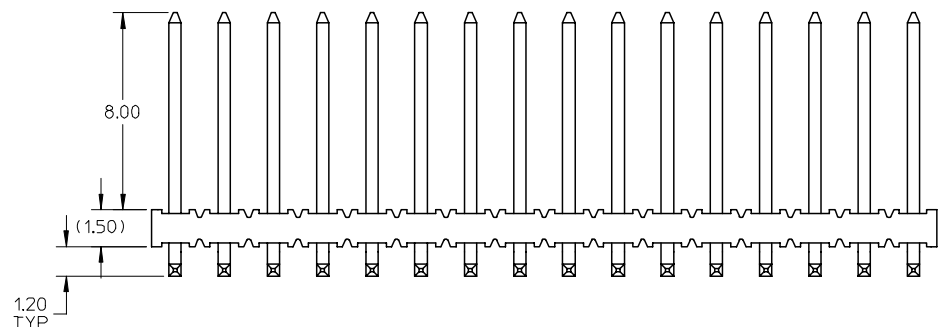
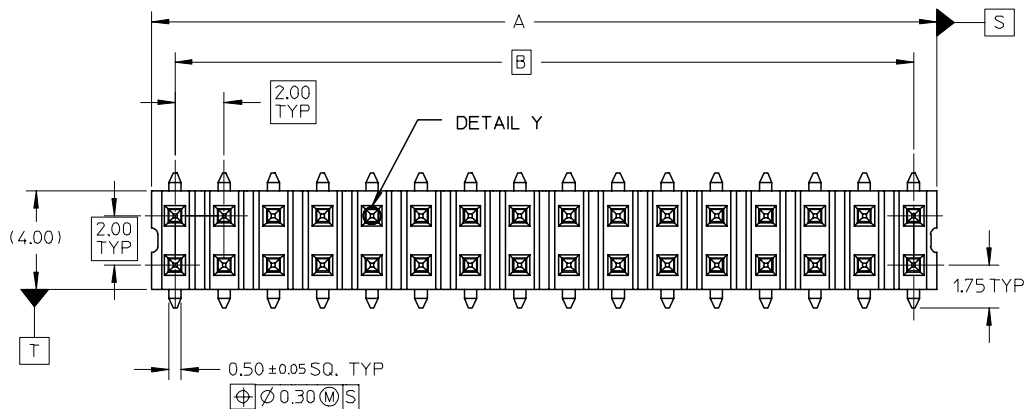
E

D

C

B

A



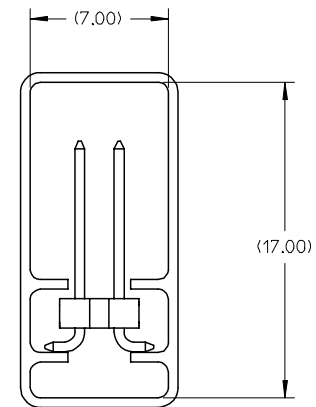
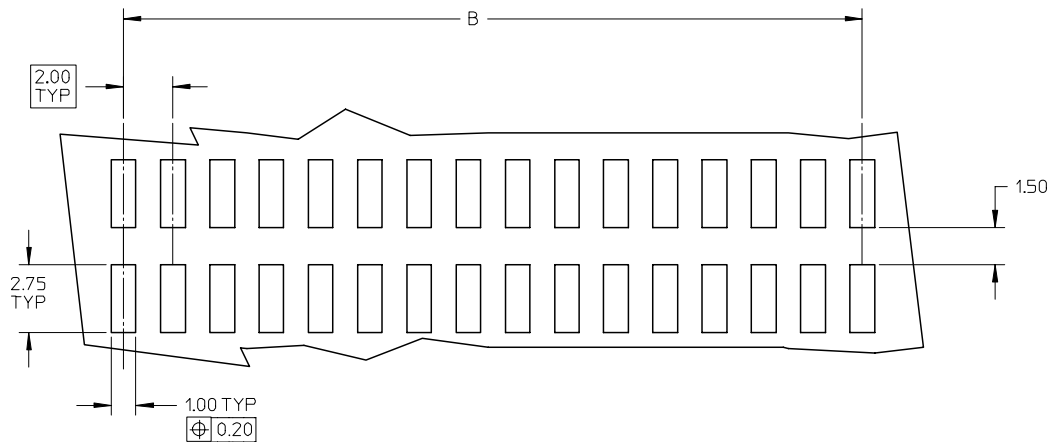
NOTE:

1. MATERIAL:
HSG & CAP - HIGH TEMPERATURE THERMOPLASTIC, UL 94V-0. COLOUR BLACK
PIN - 0.50 SQ PHOSPHOR BRONZE
2. PLATING:
0.38um MIN GOLD PLATE AT CONTACT AREA,
TIN PLATE AT SOLDER AREA,
BOTH OVER NICKEL UNDERPLATE
3. PIN PUSHOUT FORCE: 1KG MIN IN EITHER DIRECTION
4. PRODUCT SPEC PS-87761-100 APPLIES.
5. BEND DEPRESSION IS ACCEPTABLE SO LONG AS IT DOES NOT AFFECT THE OVERALL COPLANARITY OF TAIL.
6. COPLANARITY IS TO BE MEASURED BY RESTING THE SOLDER TAIL ON A FLAT SURFACE.
7. FOR ILLUSTRATION PURPOSES, 32CKT IS SHOWN
8. TUBE LENGTH IS 560MM REF STANDARD.
9. RECOMMENDED PCB BOARD THK IS 1.60±0.10 MM.

REVISED TUBE SPEC EC NO: S2007-0829 DRWN:SKLIM01 CHKD:CWLM APPR:KWLEE	2007/04/10 2007/04/12 2007/04/17	DESCRIPTION REV	QUALITY SYMBOLS	GENERAL TOLERANCES (UNLESS SPECIFIED)	DIMENSION STYLE	SCALE	DESIGN UNITS	THIRD ANGLE PROJECTION
			▼=0 ▽=0	mm INCH 4 PLACES ± --- ± --- 3 PLACES ± --- ± --- 2 PLACES ± 0.2 ± --- 1 PLACE ± --- ± --- ANGULAR ± 3 °	MM ONLY	NTS	METRIC	
				DRAFT WHERE APPLICABLE MUST REMAIN WITHIN DIMENSIONS	SEE TABLE	CUSTOM HEADER MGRID 2MM HEADER SMT		
						MOLEX INCORPORATED SD-87759-157		SHEET NO. 1 OF 2

9 8 7 6 5 4 3 2 1

PART NUMBER WITHOUT CAP IN TUBE	CKT SIZE	A	B
87759-0010	32	31.90	30.00
87759-0012	40	39.90	38.00



PART IN TUBE ORIENTATION

REVISED TUBE SPEC	DESCRIPTION
EC NO: S2007-0829	2007/04/10
DRWN:SKLIM01	2007/04/12
CHKD:CWAM	2007/04/17
APPR:KWLEE	2007/04/17
REV	REV

QUALITY SYMBOLS	DESCRIPTION
▽=0	
∇=0	

GENERAL TOLERANCES (UNLESS SPECIFIED)	
	mm
	INCH
4 PLACES	± .005
3 PLACES	± .004
2 PLACES	± 0.002
1 PLACE	± .001
ANGULAR ± 3 °	
DRAFT WHERE APPLICABLE MUST REMAIN WITHIN DIMENSIONS	

DIMENSION STYLE	
MM ONLY	
DRAWN BY	DATE
KSEE	2004/04/20
CHECKED BY	DATE
PTL IM	2004/04/22
APPROVED BY	DATE
SCLOW	2004/04/27
MATERIAL NO.	
SEE TABLE	
SIZE	A3

SCALE	NTS	DESIGN UNITS	METRIC	THIRD ANGLE PROJECTION
CUSTOM HEADER MGRID 2MM HEADER SMT				
MOLEX INCORPORATED				
DOCUMENT NO.			SHEET NO.	
SD-87759-157			2 OF 2	
THIS DRAWING CONTAINS INFORMATION THAT IS PROPRIETARY TO MOLEX INCORPORATED AND SHOULD NOT BE USED WITHOUT WRITTEN PERMISSION				