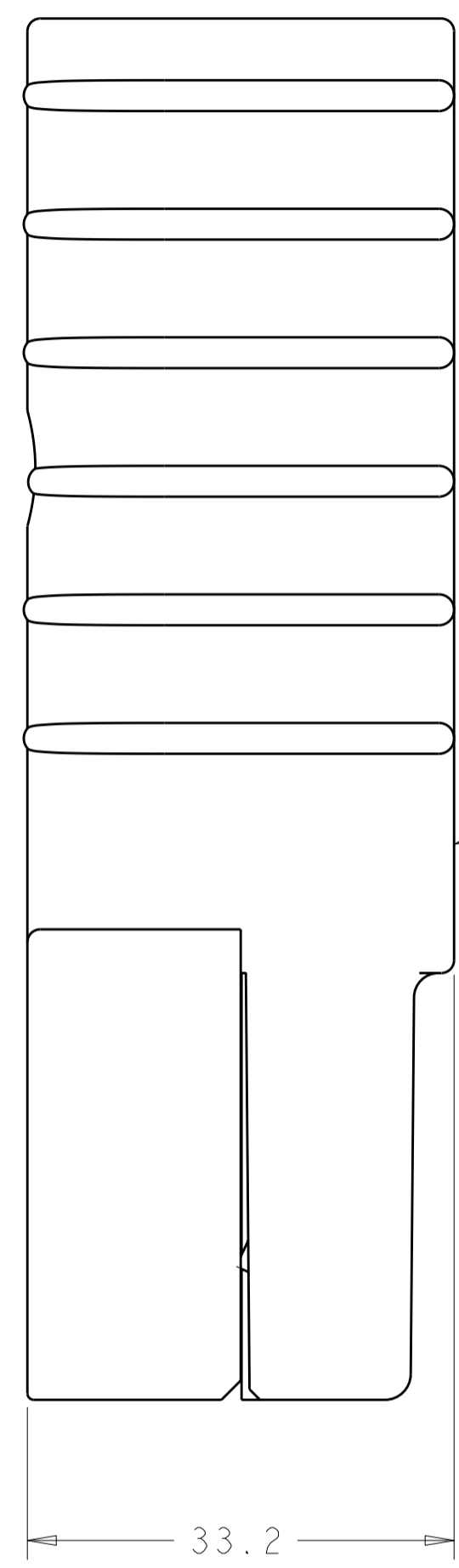
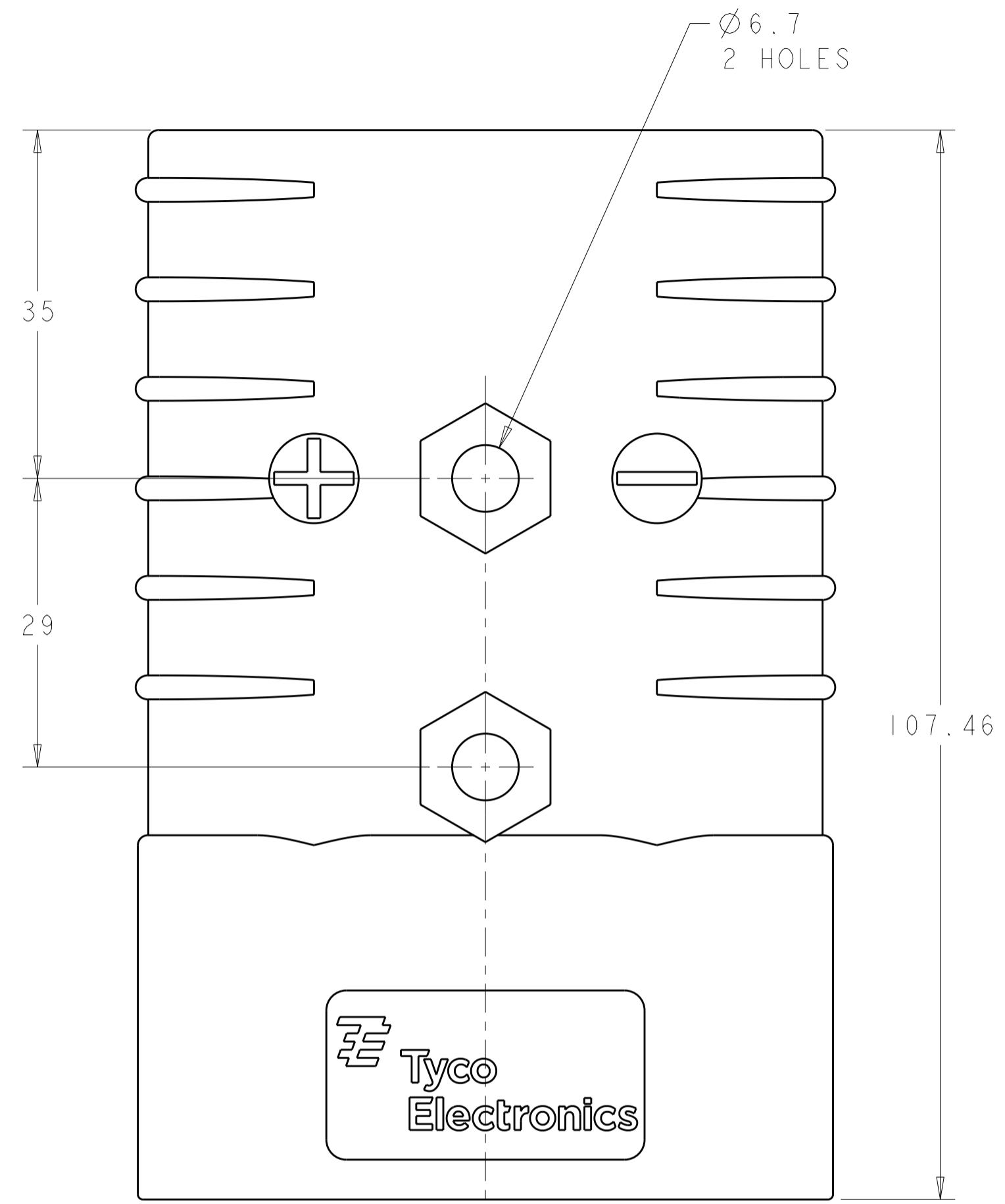
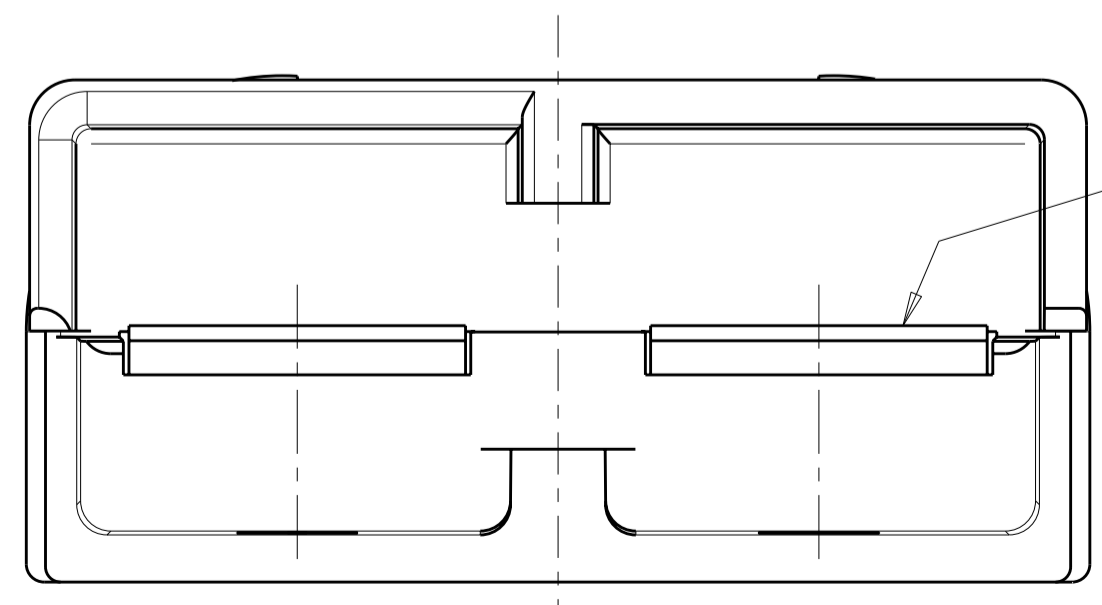


THIS DRAWING IS UNPUBLISHED. RELEASED FOR PUBLICATION 20
 © COPYRIGHT 20 BY TYCO ELECTRONICS CORPORATION. ALL RIGHTS RESERVED.

LOC		DIST		REVISIONS			
P	LTR	DESCRIPTION	DATE	DWN	APVD		
CM	0						
	AI	REVISED PER ECR-10-010379	24MAY2010	HMR	JR		



HOUSING
MATL: FLAME RETARDANT
POLYCARBONATE



GREEN	1604050-6
BLUE	1604050-5
GRAY	1604050-4
RED	1604050-3
ORANGE	1604050-2
YELLOW	1604050-1
HOUSING COLOR	ASSEMBLY PART NO

METRIC

THIS DRAWING IS A CONTROLLED DOCUMENT FOR TYCO ELECTRONICS CORPORATION. IT IS SUBJECT TO CHANGE AND THE CONTROLLING ENGINEERING ORGANIZATION SHOULD BE CONTACTED FOR THE LATEST REVISION.

DWN	B. D. YOHN	8 JAN 2002	Tyco Electronics Harrisburg, PA 17105-3608	
CHK	W. BERNHART	8 APR 2002	NAME SUB-ASSY, HOUSING W/ SPRING, AMP POWER SERIES 350	
APVD	W. BERNHART	8 APR 2002	SIZE CAGE CODE DRAWING NO RESTRICTED TO	
PRODUCT SPEC		A2 00779 C-1604050		
APPLICATION SPEC		SCALE 2:1 SHEET OF REV AI		
WEIGHT		CUSTOMER DRAWING		